

Electrical Technical Manual





The purpose of this document is to help for immediate requirement of electrical and networking during installation of furniture. Smart Desk does not do this work.

It is always better to get done from a professional who is expert in this. Use branded switches to ensure safety. Once furniture layout is finalized share it with the electrical vendor for him to plan with the materials and site visit. Usually furniture installation and electrical work goes together.

This document includes :

1. Option for the wiring Breathe, Silo, Manager Table and Conference Table.
2. Electrical drawing.
3. Photos of the electrical parts.

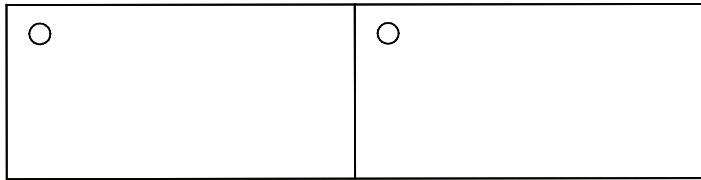
For Workstation there are four options for switch plates as below:

1. Switch plate below table top.
2. Switch plate above table top.
3. Switch plate on top.
4. Switch plate on skirting for data.

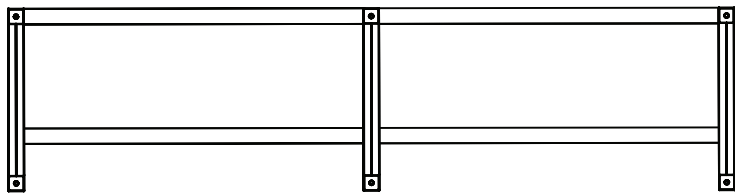




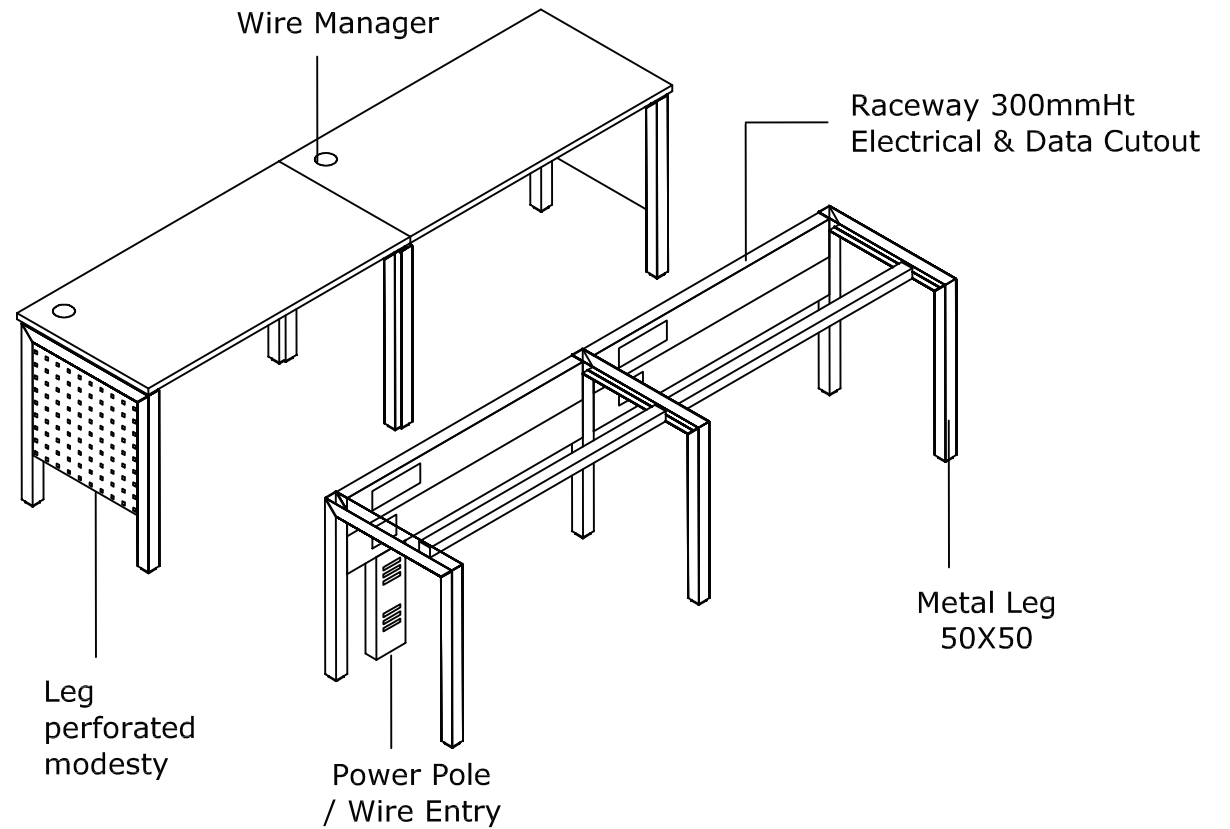
Breathe : Option 1



TOP VIEW(With table top)



TOP VIEW(Without table top)

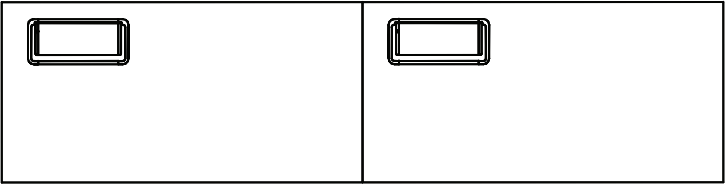


3D VIEW

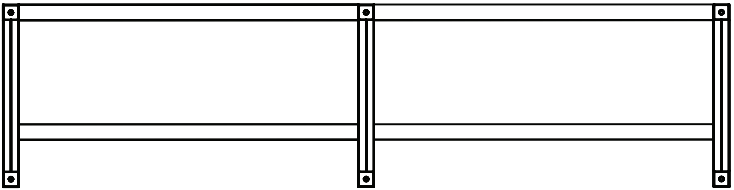
14



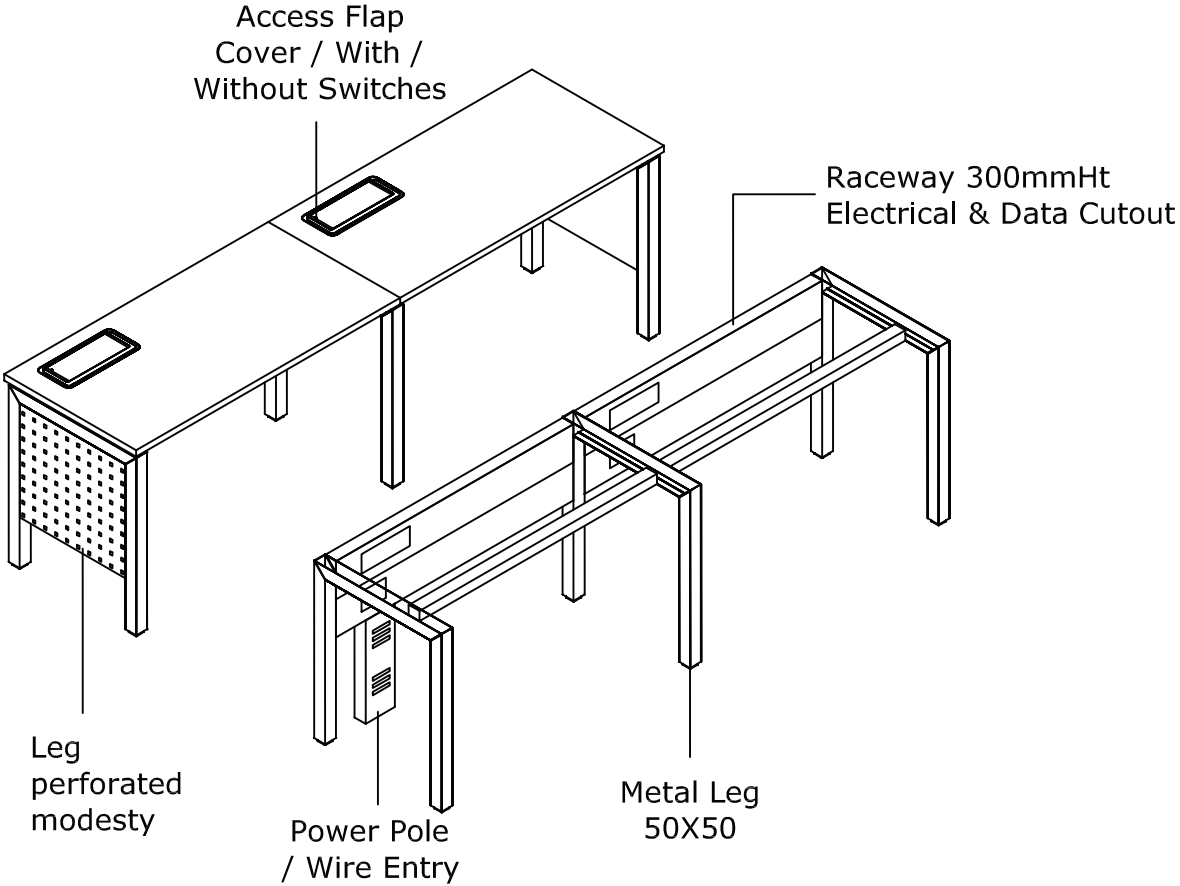
Breathe : Option 2



TOP VIEW(With table top)



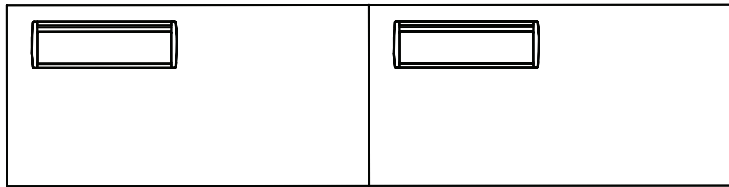
TOP VIEW(Without table top)



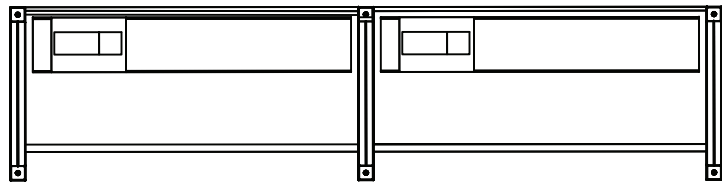
3D VIEW



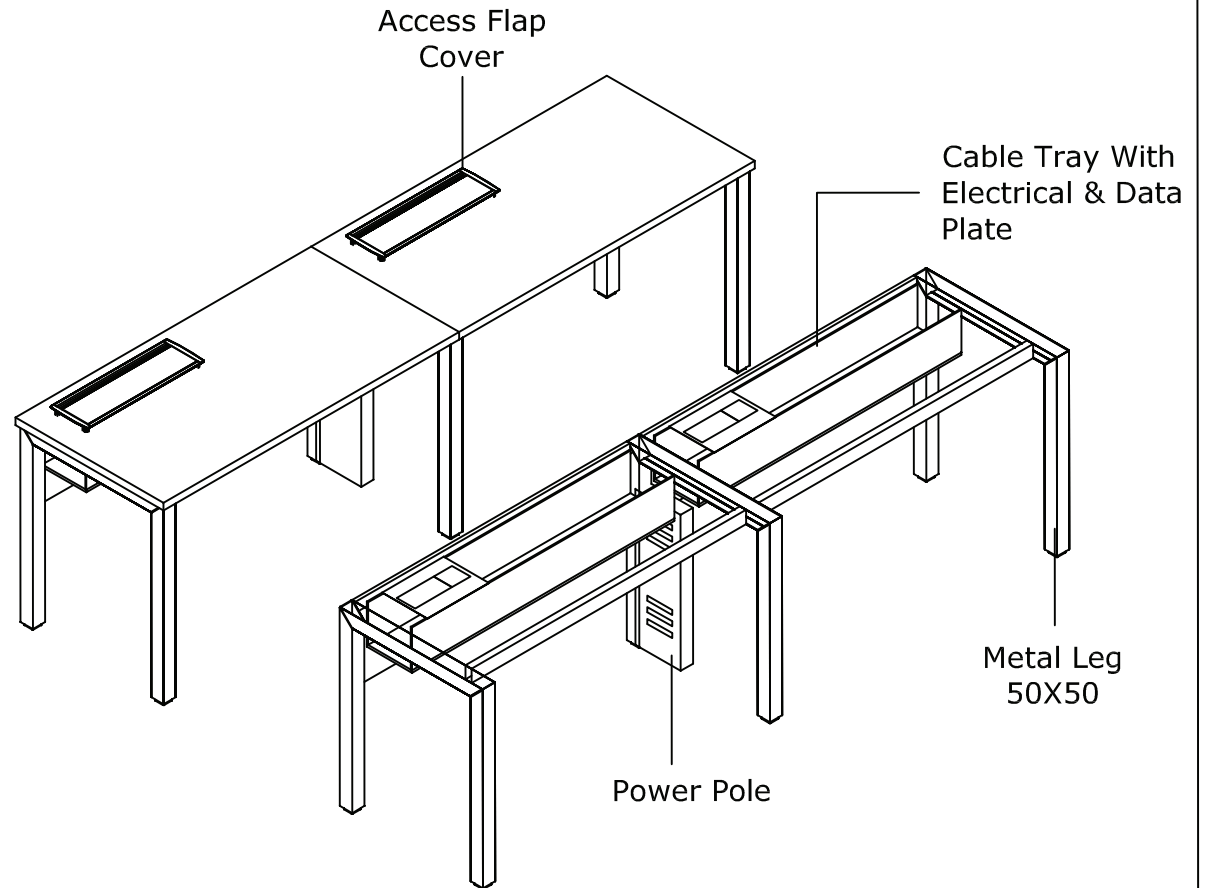
Breathe : Option 3



TOP VIEW(With table top)



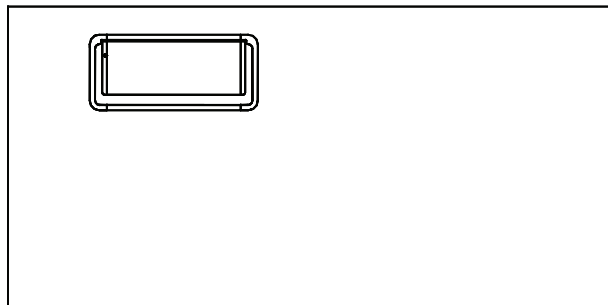
TOP VIEW(Without table top)



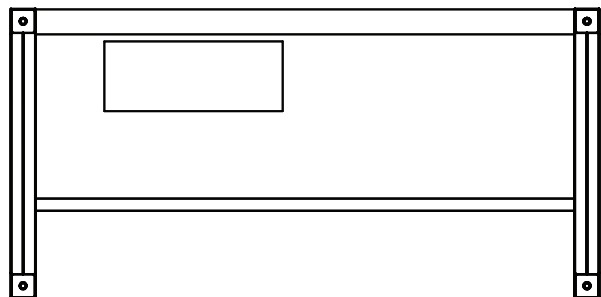
3D VIEW



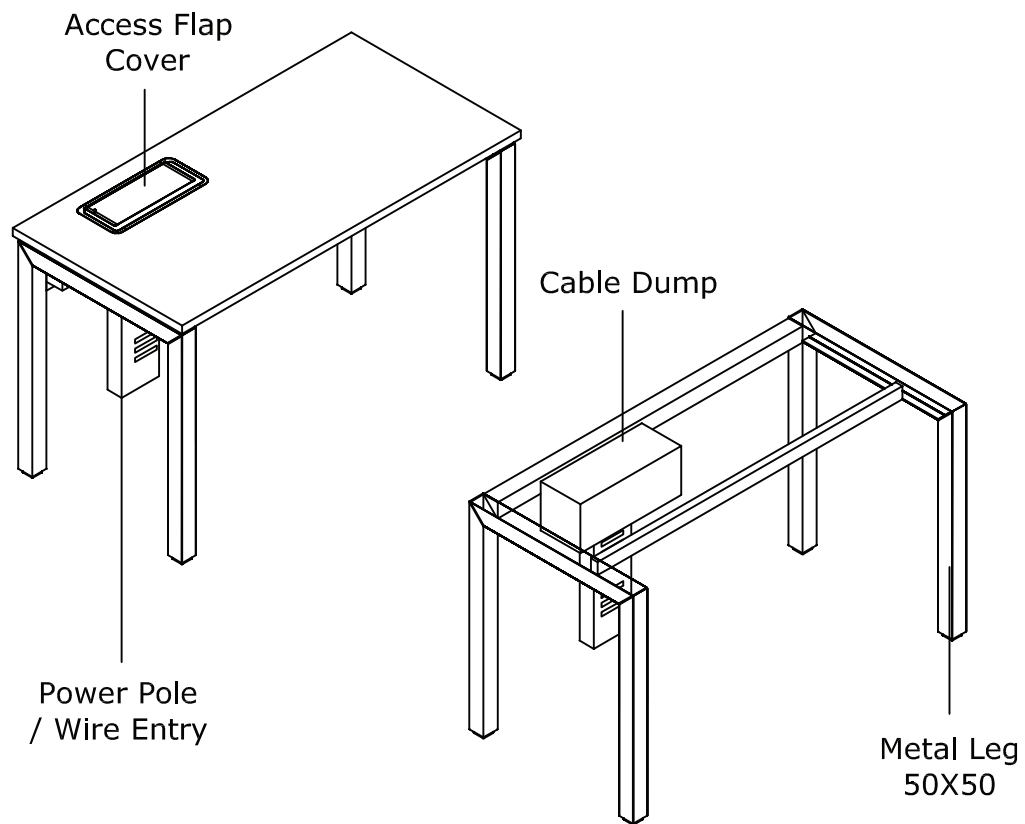
Breathe : Option 4



TOP VIEW(With table top)



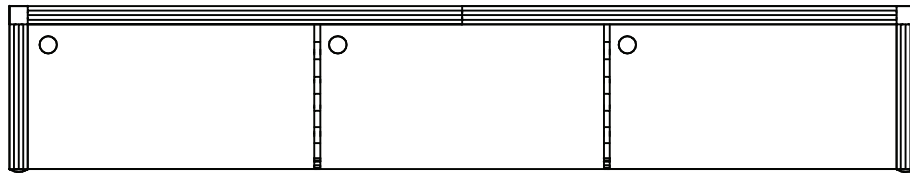
TOP VIEW(Without table top)



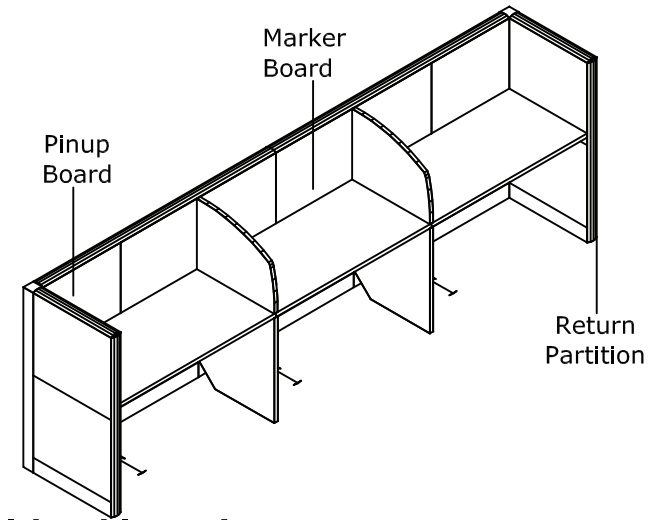
3D VIEW



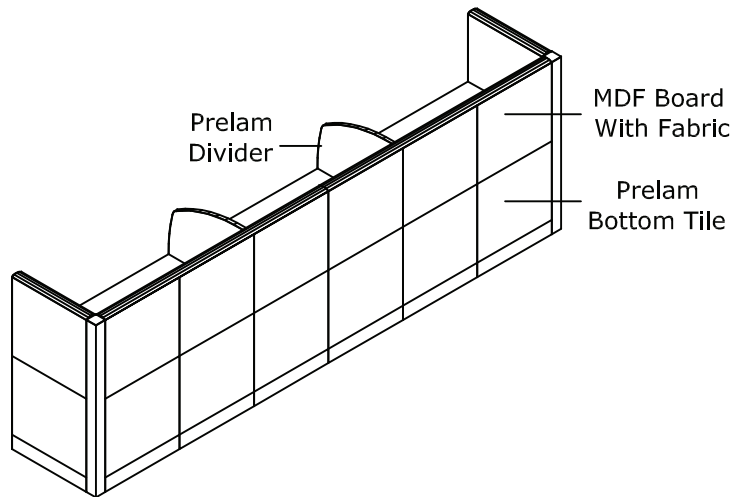
Silo : Option 1



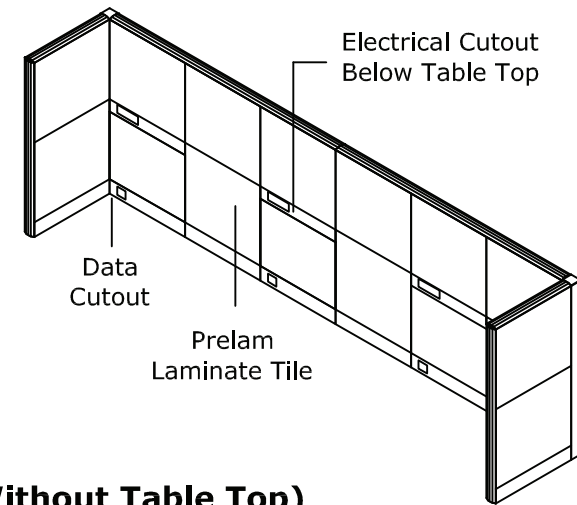
TOP VIEW(With table top)



3D VIEW(with table top)



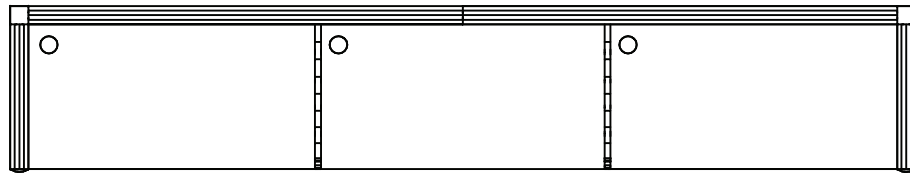
TOP VIEW



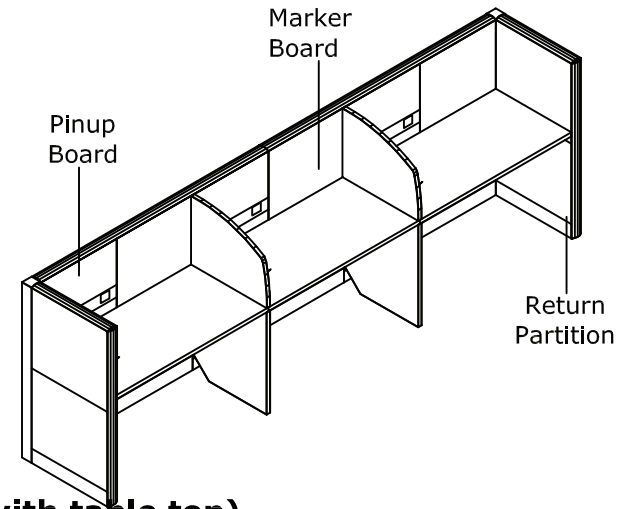
3D VIEW(Without Table Top)



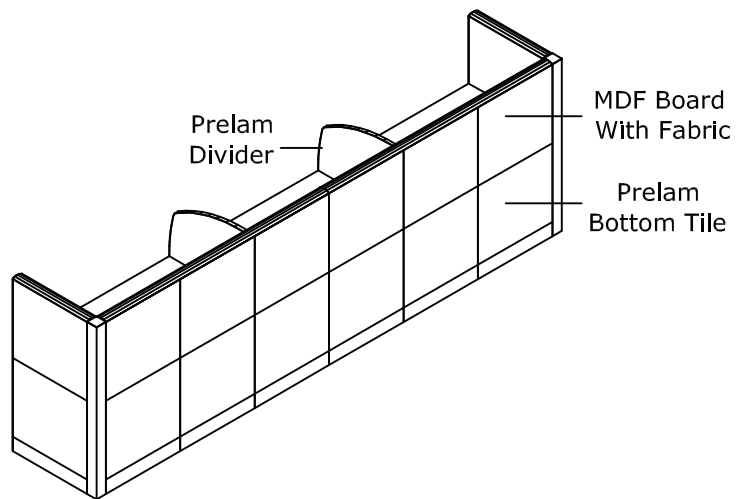
Silo : Option 2



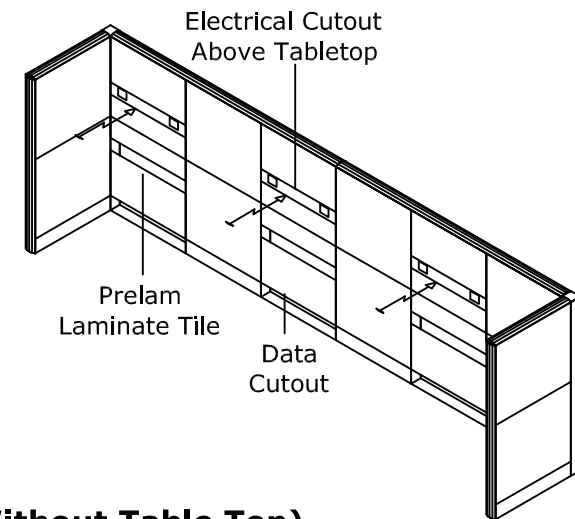
TOP VIEW(With table top)



3D VIEW(with table top)



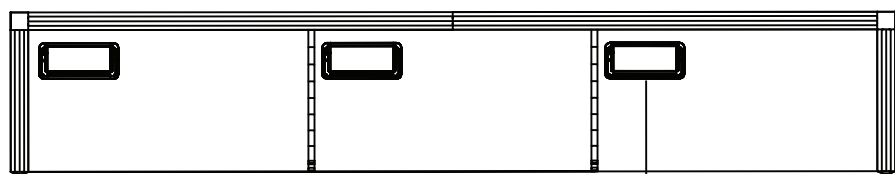
TOP VIEW



3D VIEW(Without Table Top)

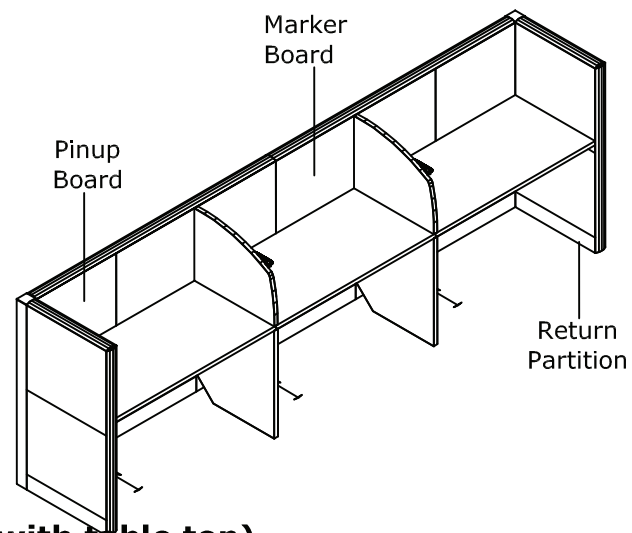


Silo : Option 3

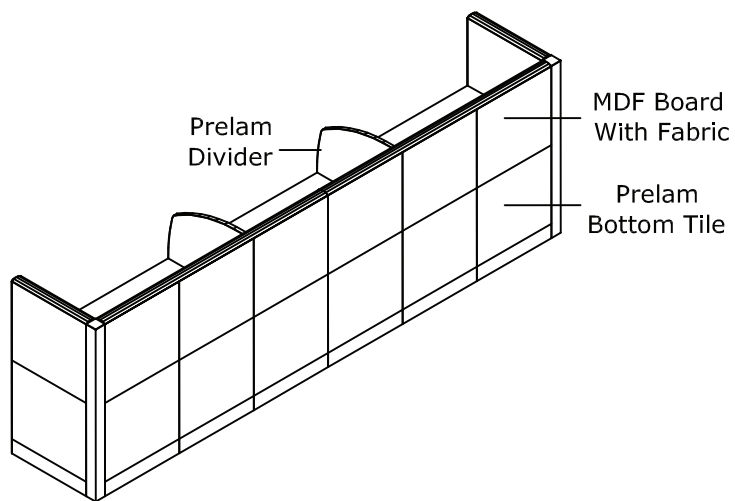


Access Flap Cover
/ Flap With Switches

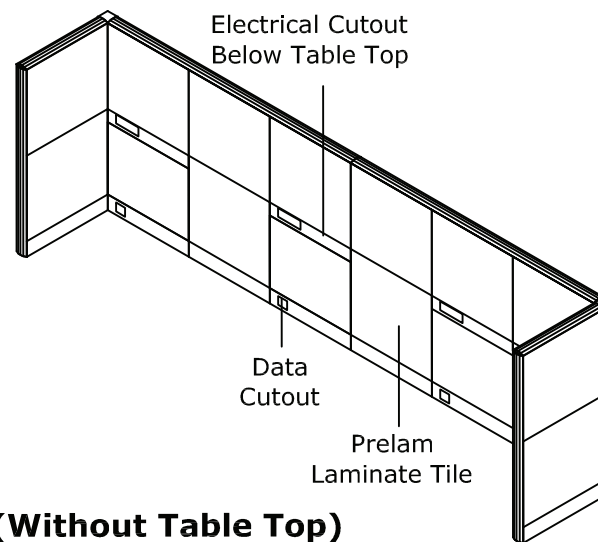
TOP VIEW(With table top)



3D VIEW(with table top)



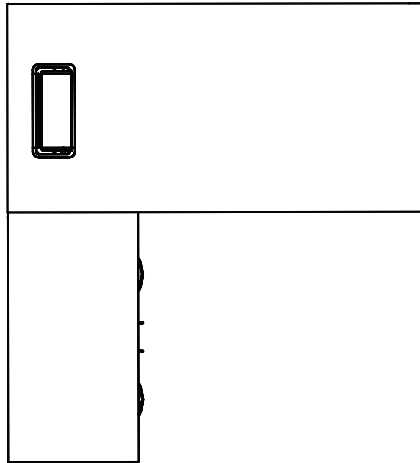
TOP VIEW



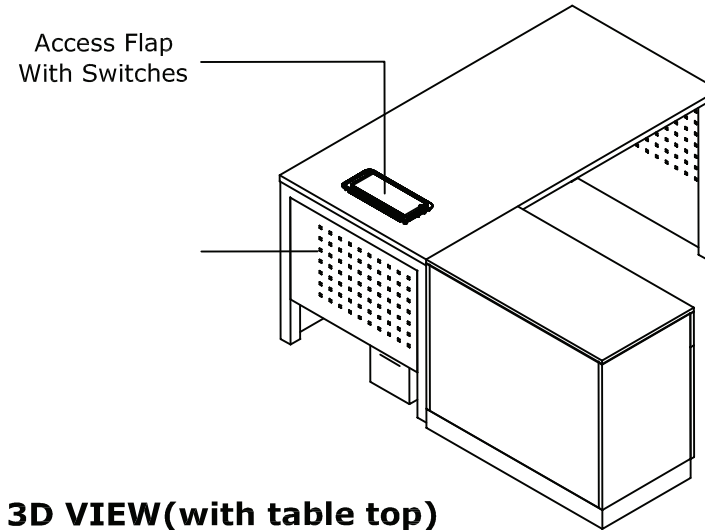
3D VIEW(Without Table Top)



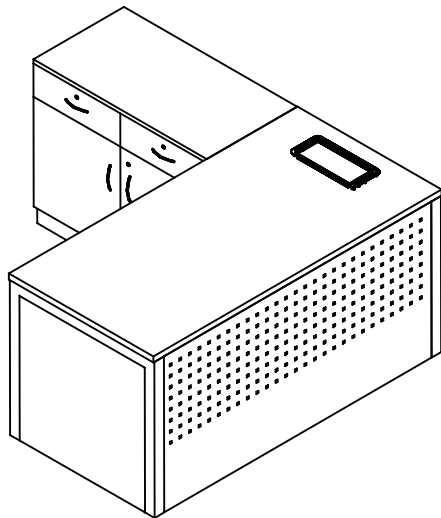
Manager Table : Option 1



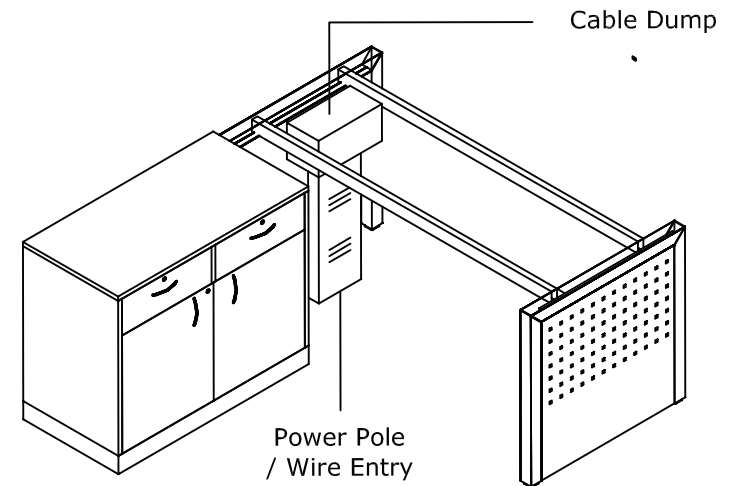
TOP VIEW(With table top)



3D VIEW(with table top)



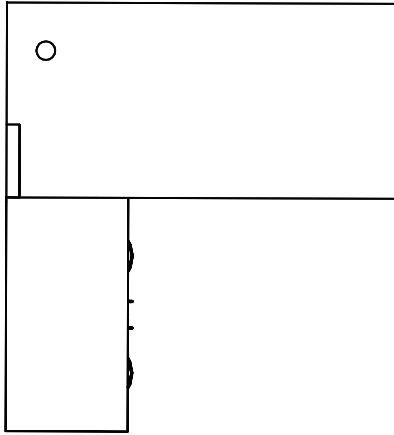
3D VIEW



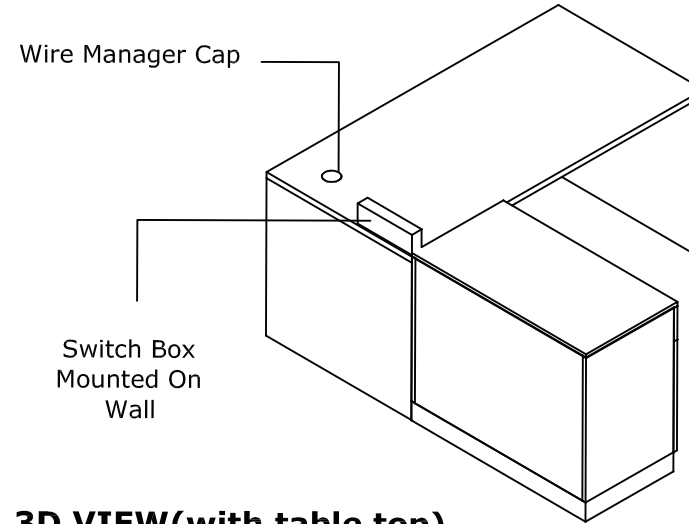
3D VIEW(Without Table Top)



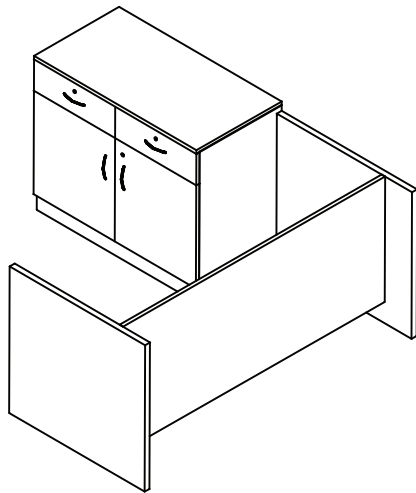
Manager Table : Option 2



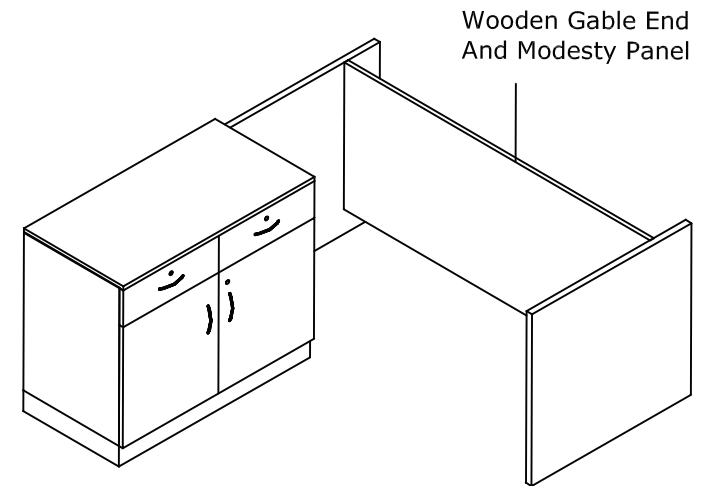
TOP VIEW(With table top)



3D VIEW(with table top)



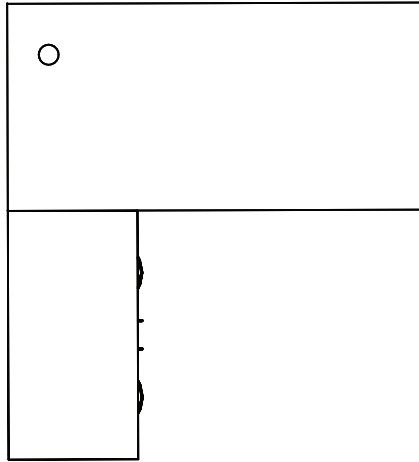
3D VIEW



3D VIEW(Without Table Top)

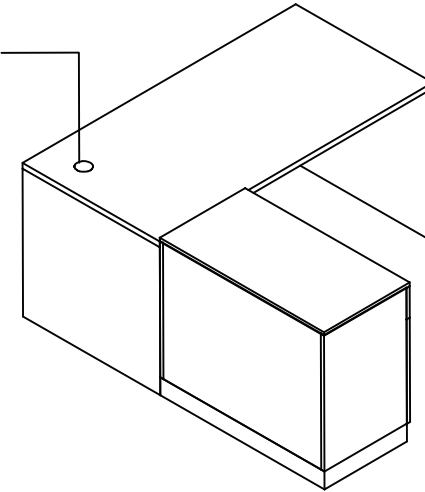


Manager Table : Option 3

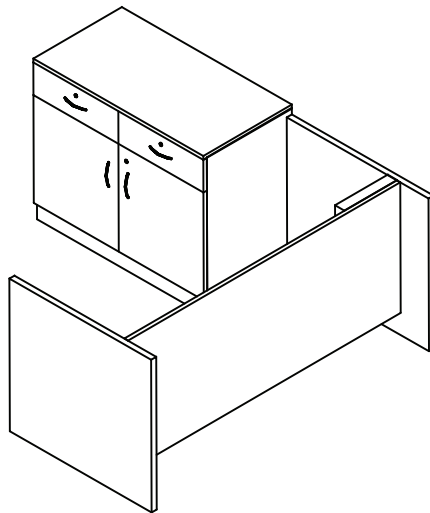


TOP VIEW(With table top)

Wire Manager Cap

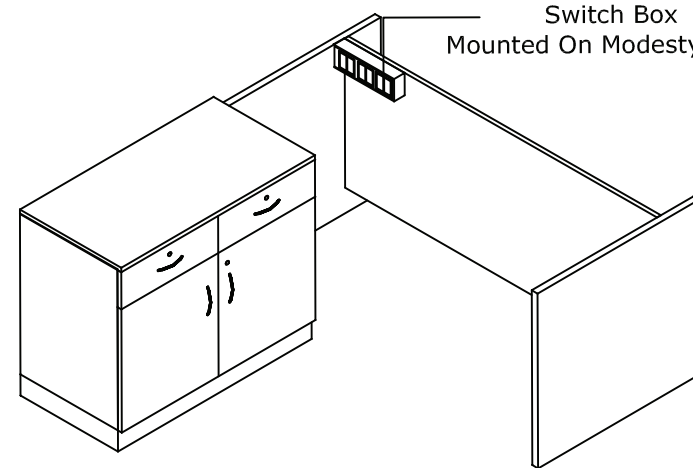


3D VIEW(with table top)



3D VIEW

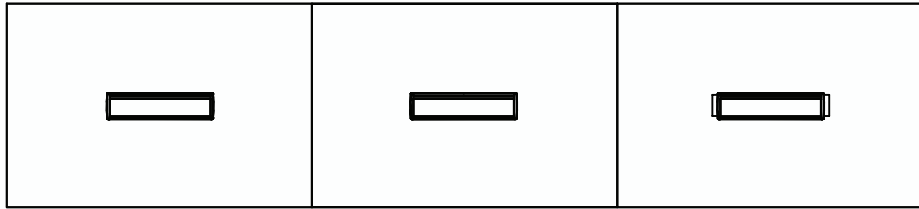
Switch Box
Mounted On Modesty Panel



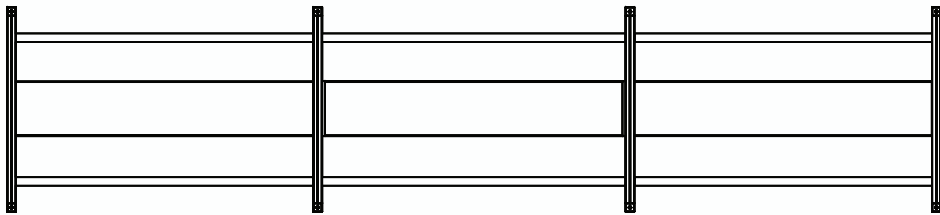
3D VIEW(Without Table Top)



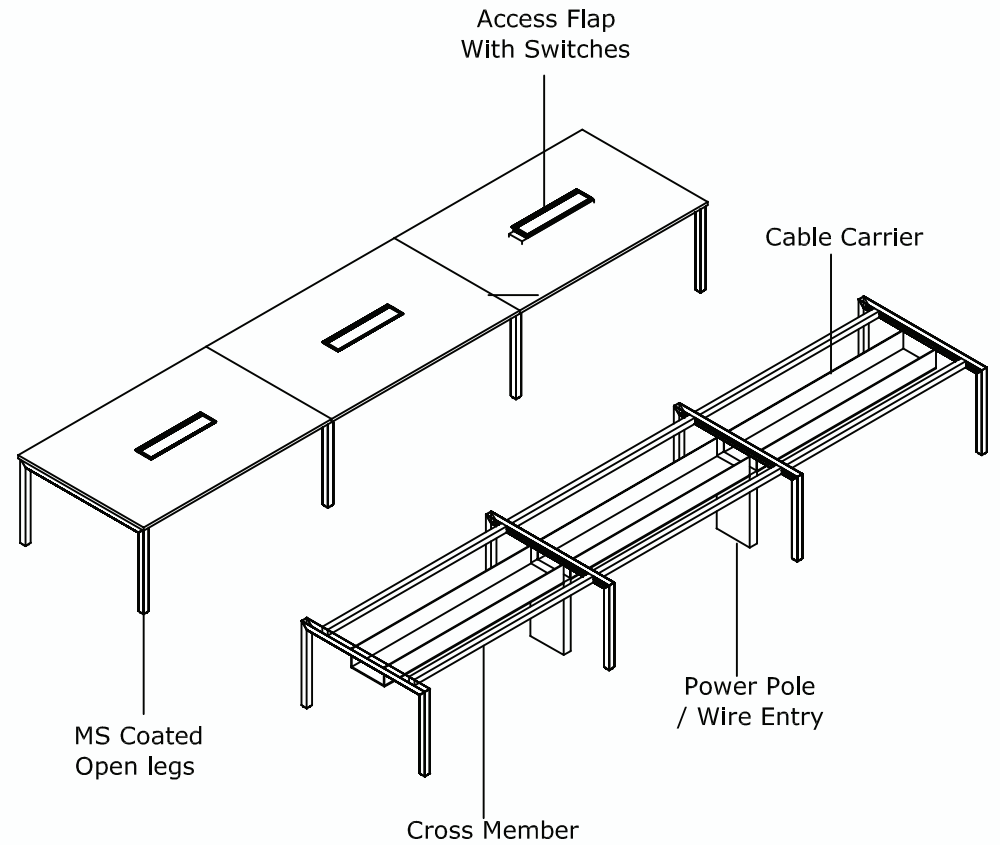
Conference Table: Option 1



TOP VIEW(With table top)



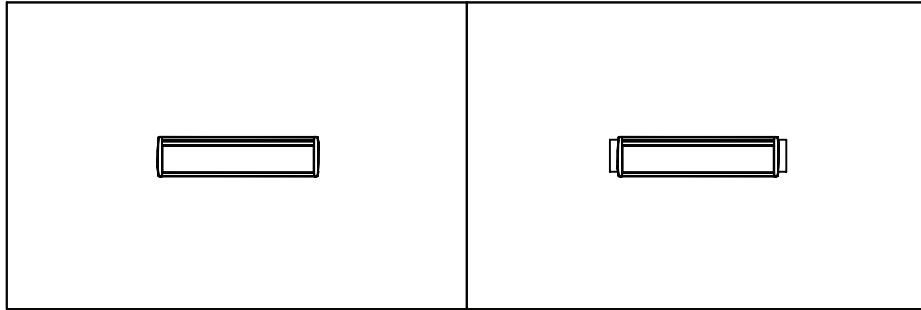
TOP VIEW



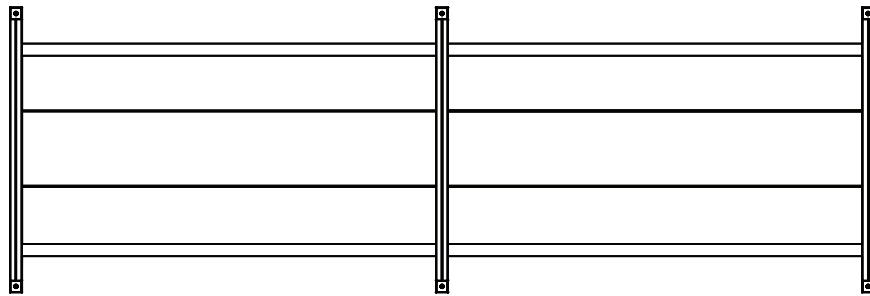
3D VIEW



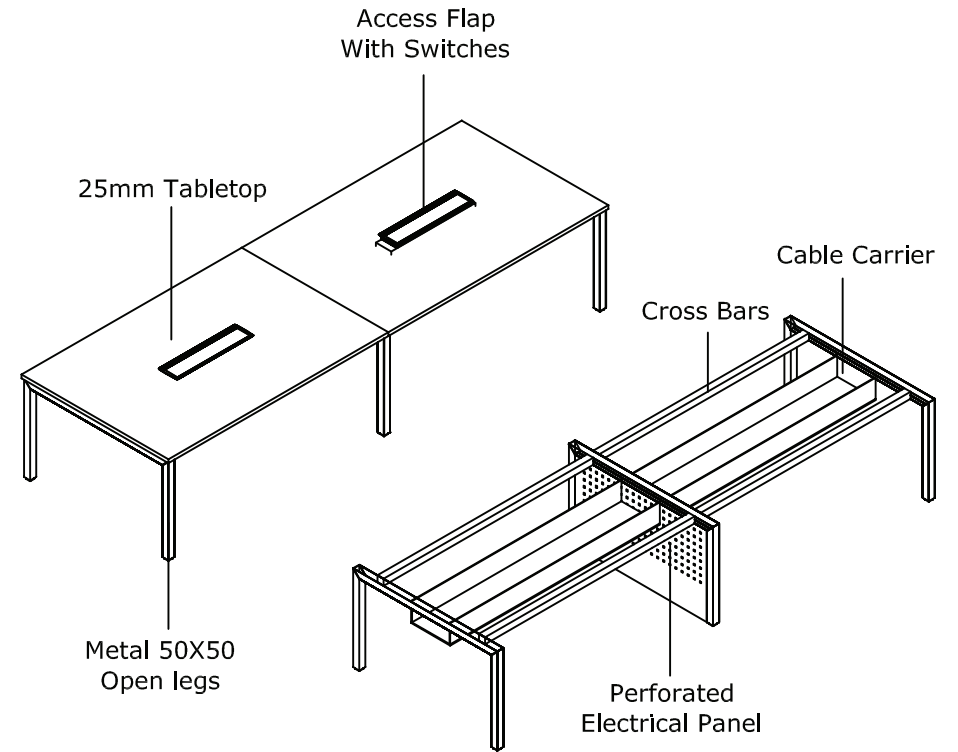
Conference Table: Option 2



TOP VIEW(With table top)



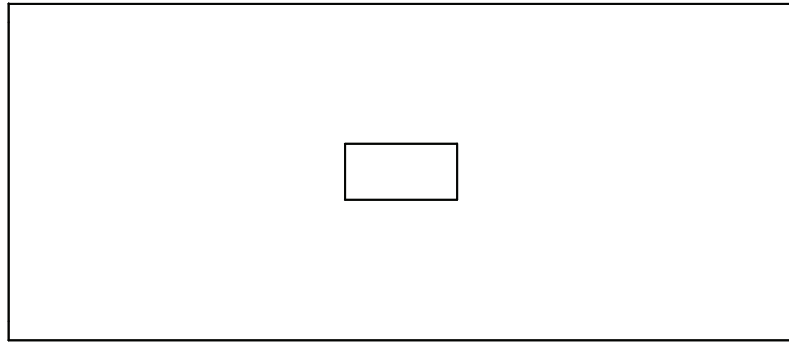
TOP VIEW



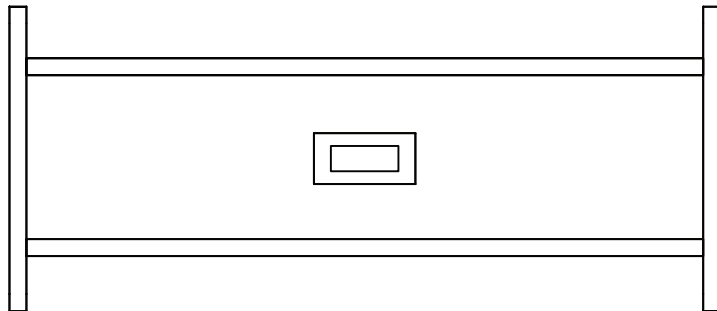
3D VIEW



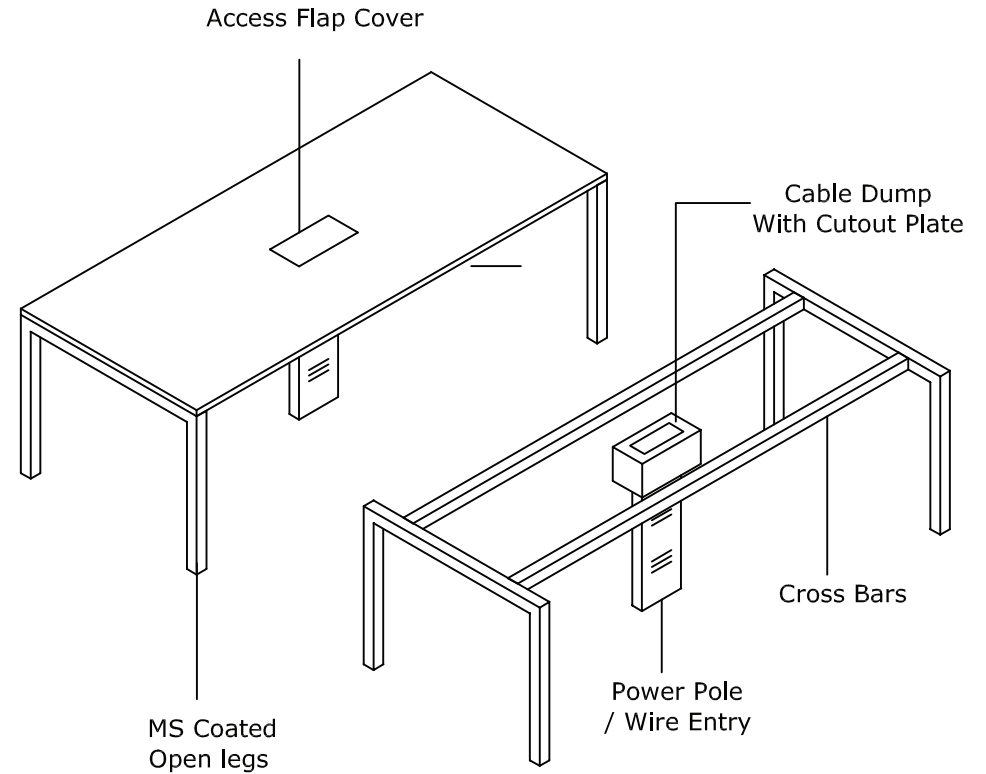
Conference Table: Option 3



TOP VIEW(With table top)



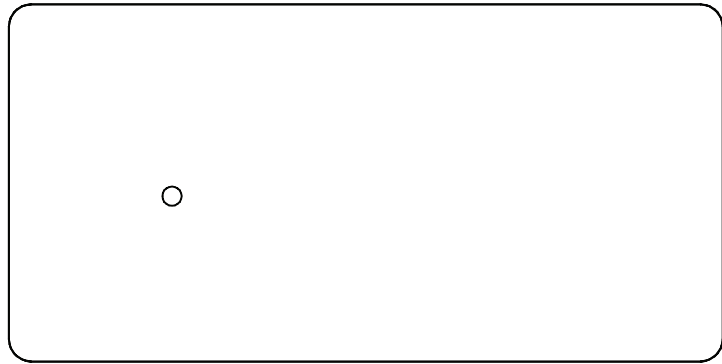
TOP VIEW



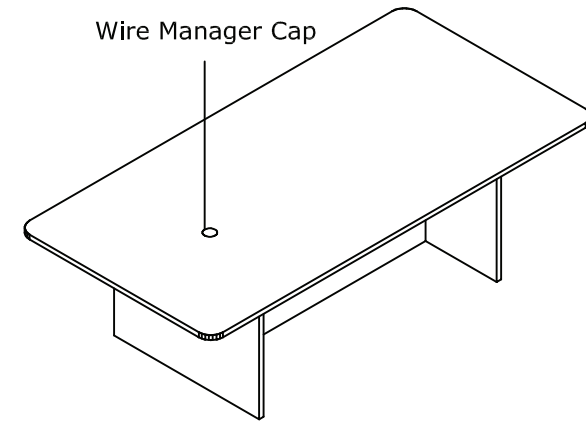
3D VIEW(Without Table Top)



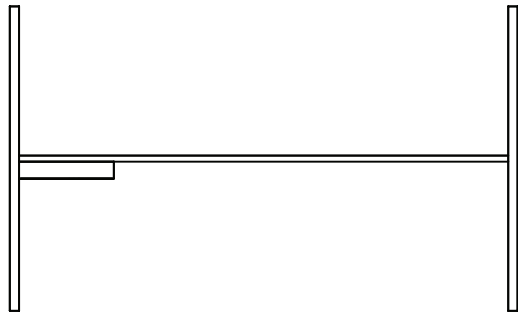
Conference Table: Option 4



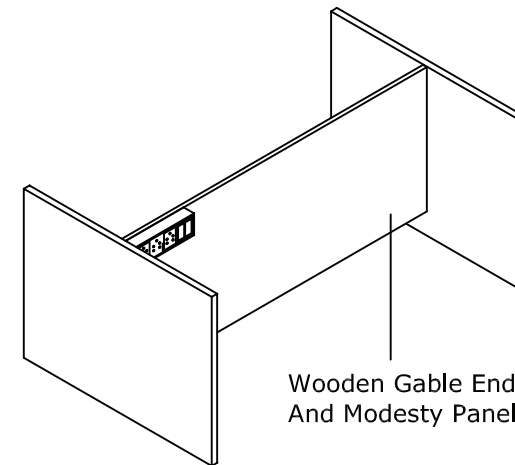
TOP VIEW(With table top)



3D VIEW(with table top)



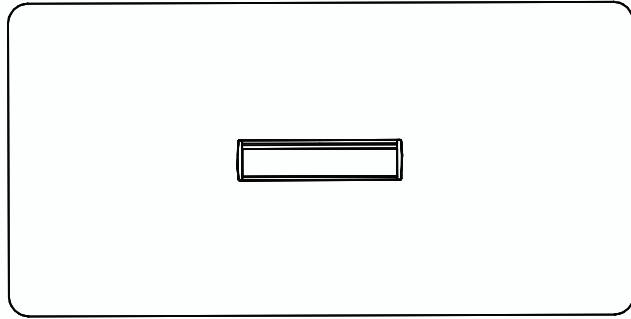
TOP VIEW



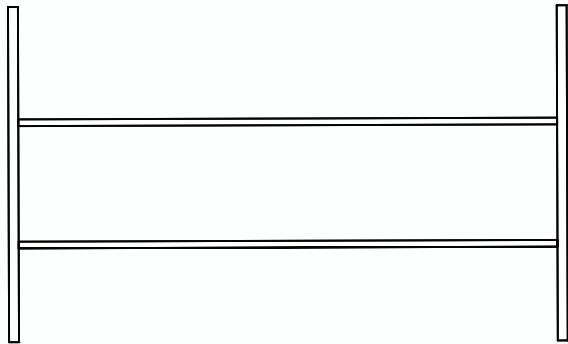
3D VIEW(Without Table Top)



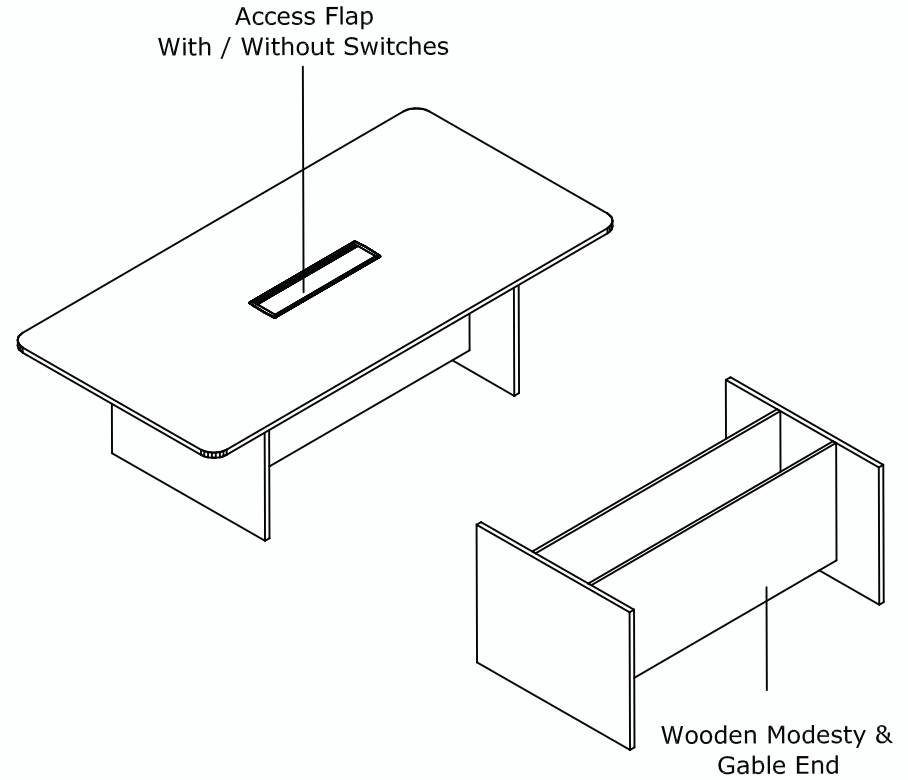
Conference Table: Option 5



TOP VIEW(With table top)



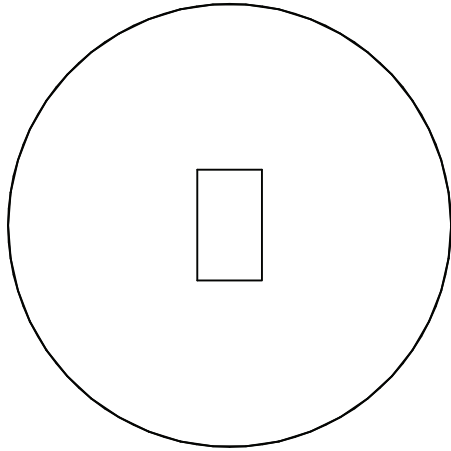
TOP VIEW



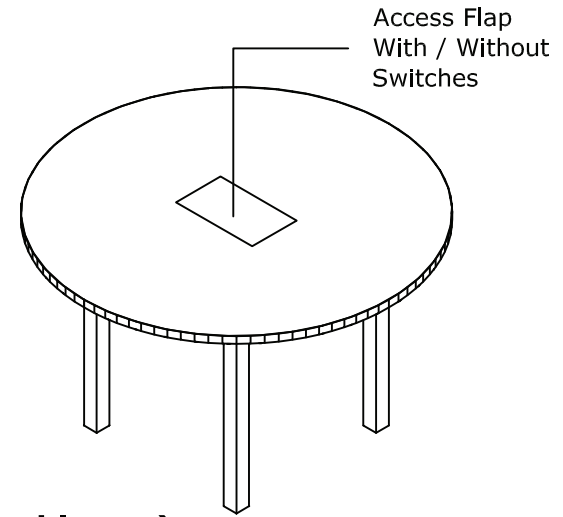
3D VIEW(Without Table Top)



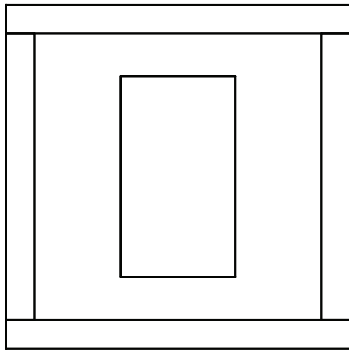
Round Table: Option 1



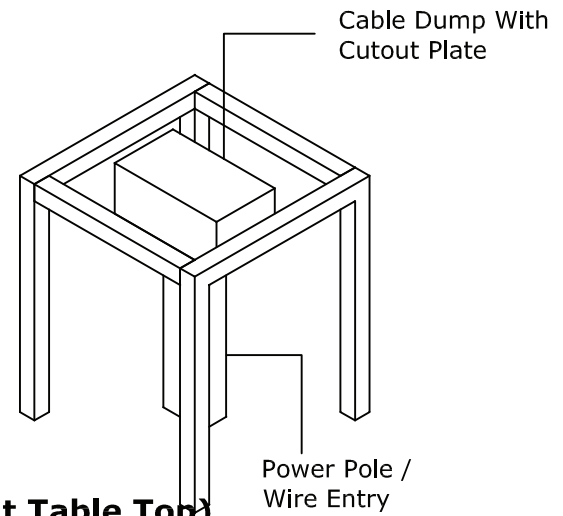
TOP VIEW(With table top)



3D VIEW(with table top)



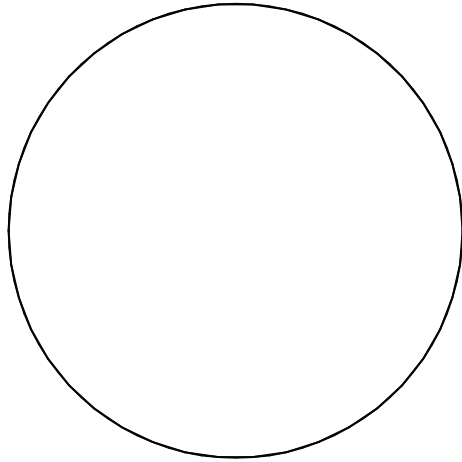
TOP VIEW



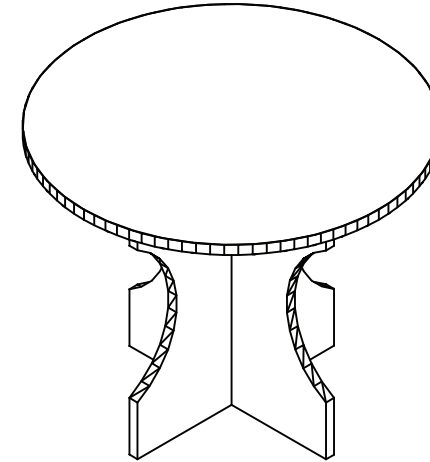
3D VIEW(Without Table Top)



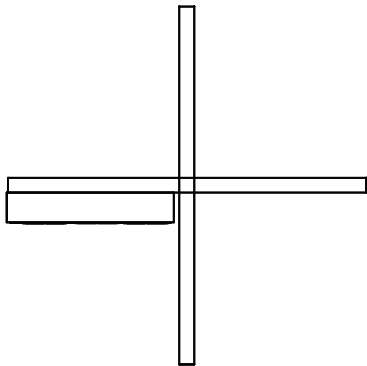
Round Table: Option 2



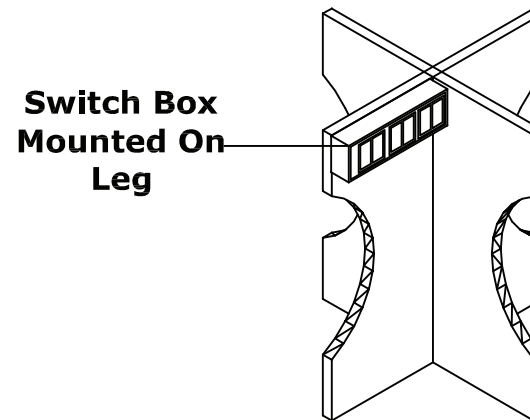
TOP VIEW(With table top)



3D VIEW(with table top)



TOP VIEW



**Switch Box
Mounted On
Leg**

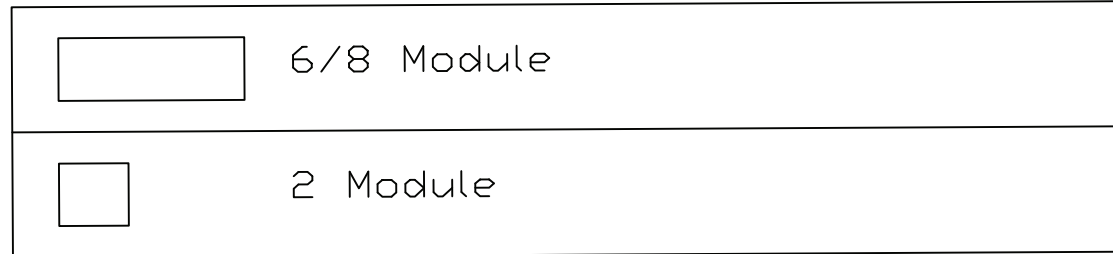
3D VIEW(Without Table Top)



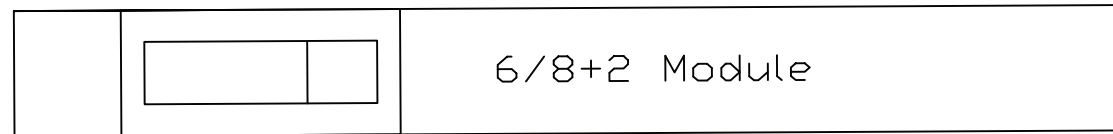
Electrical Drawing



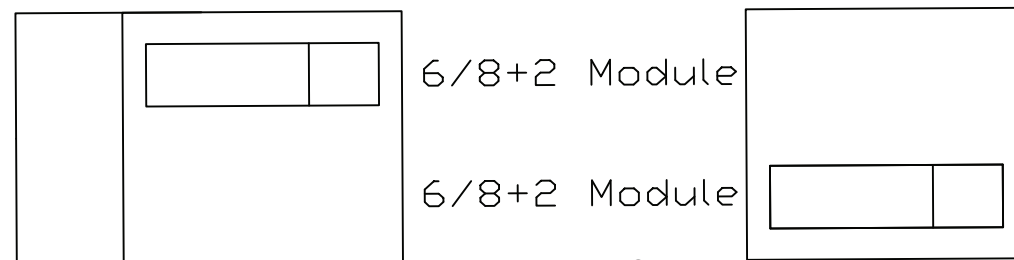
Breathe System



Electrical Cutout - Breathe

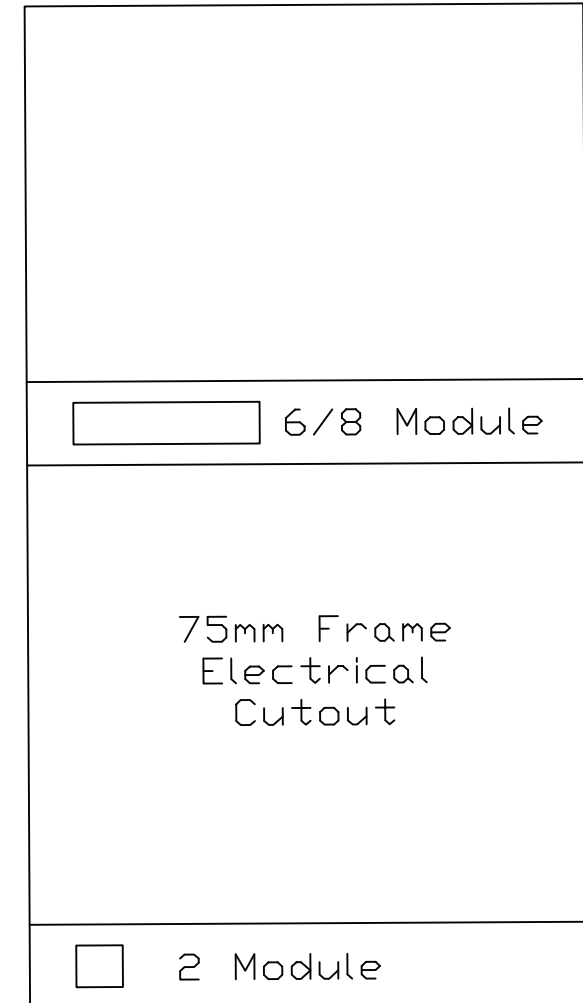


Electrical Cutout - Cable Tray
Single Side Workstation



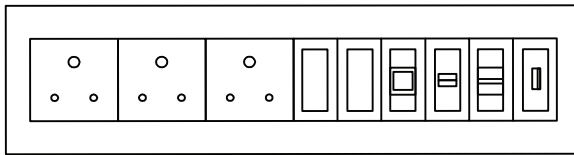
Electrical Cutout⁸¹ - Cable Tray
Back To Back Workstation

Silo System



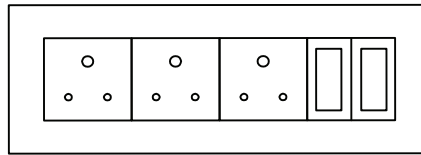


Electrical Plate Drawing

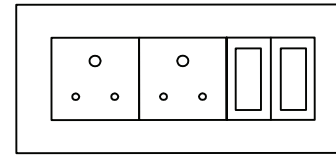


12 MODULE - For
Conference Table
Configuration :

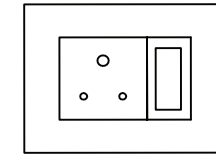
3 Socket, 1 Switch,
1 Data, 1 VGA, 1 HDMI,
1 USB, 1 Dummy



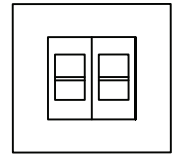
8 MODULE



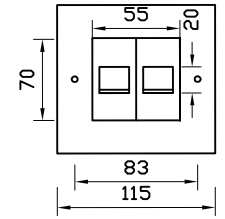
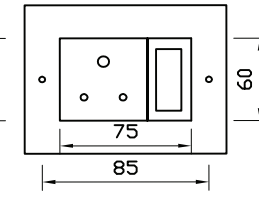
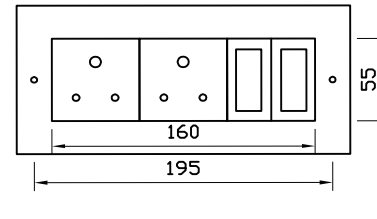
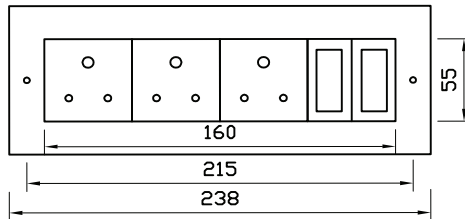
6 MODULE



3 MODULE



2 MODULE



SWITCH PLATE - ANCHOR ROMA

1 Socket - 2 Module
1 Switch - 1 Module



8 Module Deskport



Access Flap Cover 300mm



Access Flap Cover 450mm



12 Module Flap With Switch



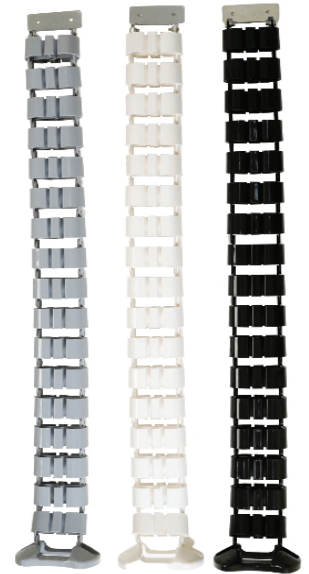
Deskport Console - Option 1



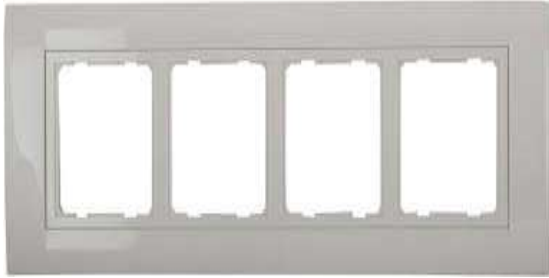
Hydraulic Deskport



Deskport Console - Option 2



Vertebrae - Wire Entry Option



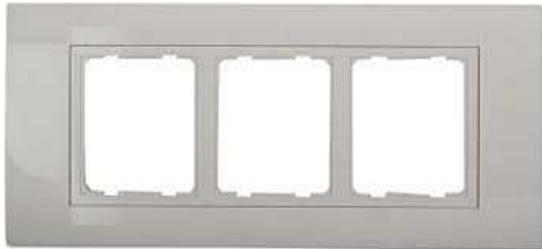
8 Module Plate - 3 Sockets
& 2 Switches



Wire Manager Caps



2 Sockets & 2 Switches
6 Module With Switches



6 Module Plate - 2 Sockets
& 2 Switch



8 Module Switch Plate with
3 sockets and 2 switches



Data Port



Smart Desk[®]
Solutions in Office Furniture

#25, G1, Narayana, Mission Road, Bangalore - 560 027

Mobile: +91 98450 00176, +91 89510 79666, Phone: +91 80 41499138

E-Mail: sales@smartdesk.in, smartdesk@rediffmail.com, Web: www.smartdesk.in